

HBrinker Mechanical Seal

Compressor seal

Mechanical Seal HBSR



H-Brinker

www.HBrinker.com

IRANSEAL
Mechanical Seal



Mechanical Seal HBSR

Operating range

Shaft diameter: 24.5 ... 320.3 mm (0.96" ... 12.61")

Design pressure: $p = 0.5 \dots 10$ bar (7.25 ... 145 PSI)

Operating pressure: $p = 0.5 \dots 0.8$ bar (7.25 ... 11.60 PSI)

Temperature: $t = -20 \text{ }^\circ\text{C} \dots +200 \text{ }^\circ\text{C}$ (-4 °F ... +392 °F)

Sliding velocity: $v_g = 10 \dots 140$ m/s (33 ... 459 ft/s)

Separation gas dew point at 0.8 bar (11.6 PSI): $t = -50 \text{ }^\circ\text{C} \dots -20 \text{ }^\circ\text{C}$ (-58 °F ... -4 °F)

Features

- Contacting bushing seal
- Gas-lubricated
- Bi-directional
- Ready-to-fit cartridge unit

Materials

- Seal face: Carbon graphite impregnated
- Secondary seals: FKM
- Shaft sleeve: Stainless steel TC-coated
- Metal parts: 1.4006 or other stainless steels.

Advantages

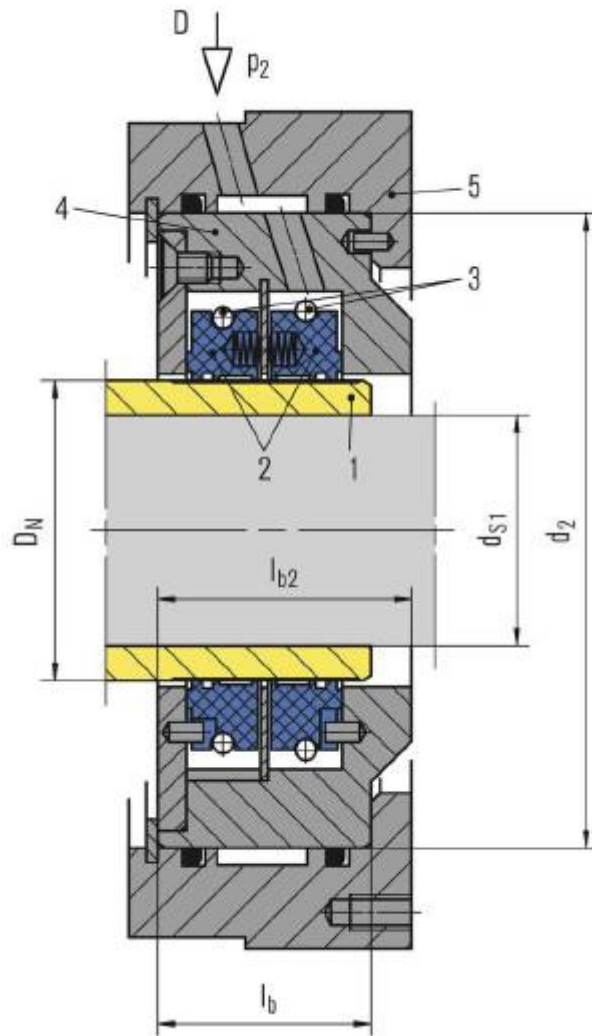
- Very low leakage
- No increased leakage in static operation
- Small gas consumption
- Optimized carbon material for operation with ultra dry nitrogen
- For continuous operation with little shutdowns and slow roll operation >10m/s

Recommended applications

- Oil and gas industry
- Refining technology
- Petrochemical industry
- Nitrogen
- Air
- Centrifugal compressors
- Blowers

HBrinker Mechanical Seal

Compressor seal Mechanical Seal HBSR



Item	Description
1	Shaft sleeve
2	Segmented carbon ring
3	Garter spring
4	Housing of standardized sub-cartridge
5	Housing (size matched to installation space)
D	Separation gas